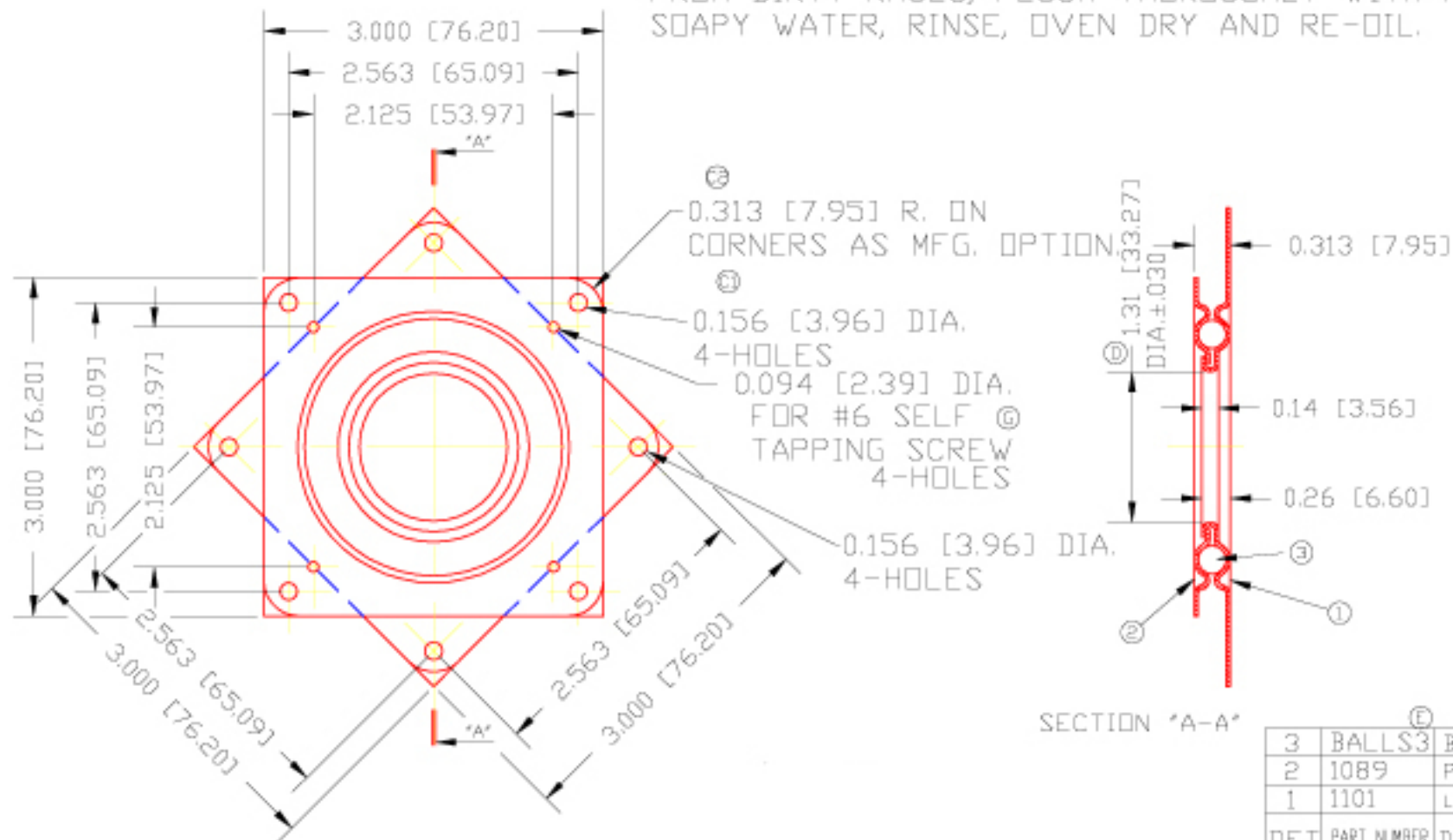


CAUTION: PROTECT BALLS AND RACES FROM SAWDUST, DIRT, PAINT, ETC. SHOULD BEARING BECOME "ROUGH" FROM DIRTY RACES, FLUSH THOROUGHLY WITH HOT SOAPY WATER, RINSE, OVEN DRY AND RE-OIL.



DET	PART NUMBER	DESCRIPTION	AMT
3	BALLS3	BALL	1
2	1089	PLAIN RACE	1
1	1101	LOCKING RACE	1

NAME 3" LAZY SUSAN BRG.

FIT ///

PLATING ELECTRO-GALV

USED IN ///

DATE 02-17-99

PART NO.

BY HJK

SCALE 1 / 1

ALL DIMS 0.00 UNLESS SPECIFIED