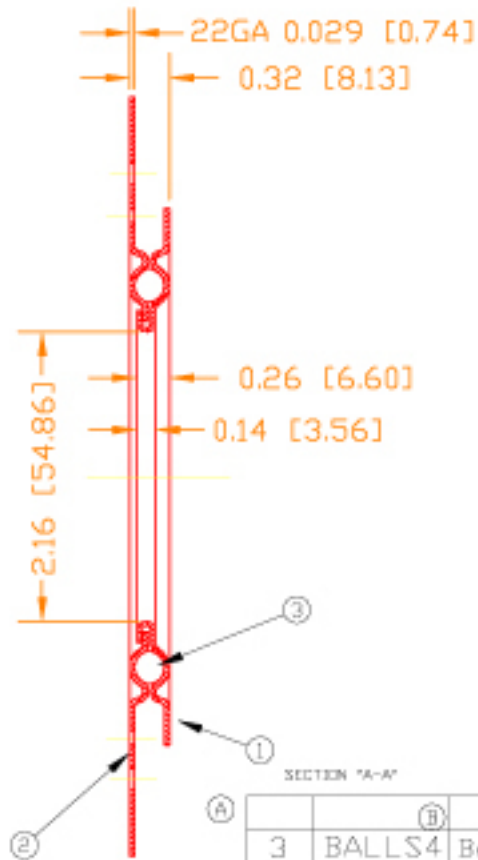
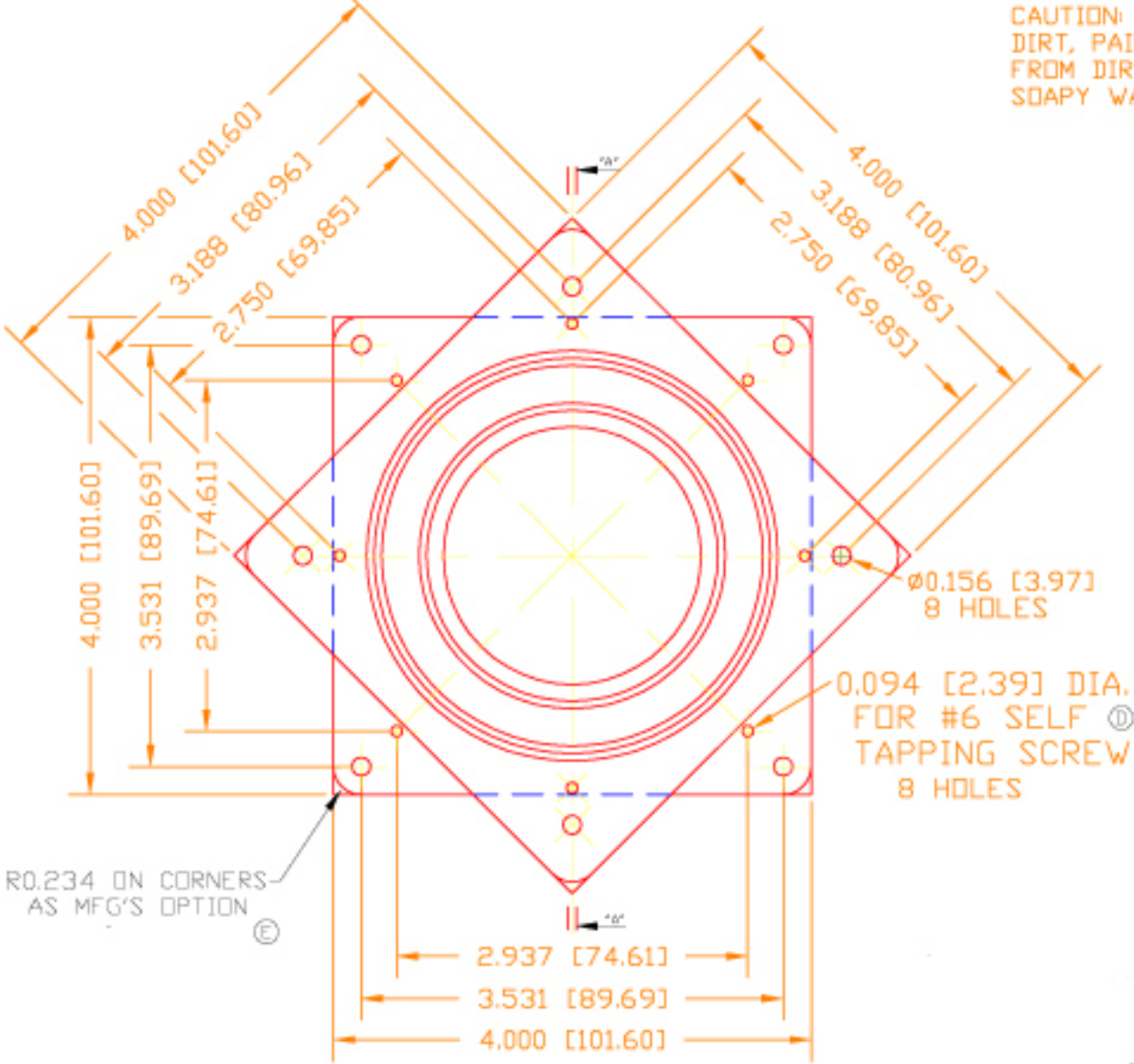


CAUTION: PROTECT BALLS AND RACES FROM SAWDUST, DIRT, PAINT, ETC. SHOULD BEARING BECOME 'ROUGH' FROM DIRTY RACES, FLUSH THOROUGHLY WITH HOT SOAPY WATER, RINSE, OVEN DRY AND RE-OIL.



| QTY | DESCRIPTION | AMT |
|-----|-----------------|-----|
| 3 | BALLS 4 BALL | 1 |
| 2 | 2823 PLAIN RACE | 1 |
| 1 | 7119 STAMPING | 1 |

NAME 4" LAZY SUSAN BEARING

| | | | | |
|---------------------------------|--------------|---------|----------|----------|
| PLATING | ELECTRO-GALV | DATE | 11-25-99 | PART NO. |
| REVISION | SEE DETAILS | DRAWN | LML | |
| | | CREATED | PLK | |
| ALL DIMS ±.020 UNLESS SPECIFIED | | SCALE | 1 / 1 | |

CHANGE LEVEL
F 03-03-08